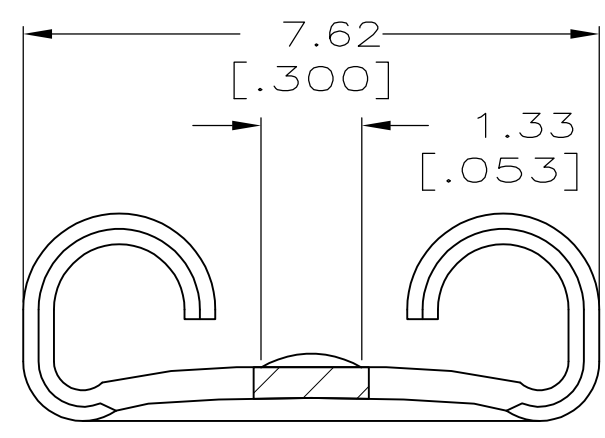
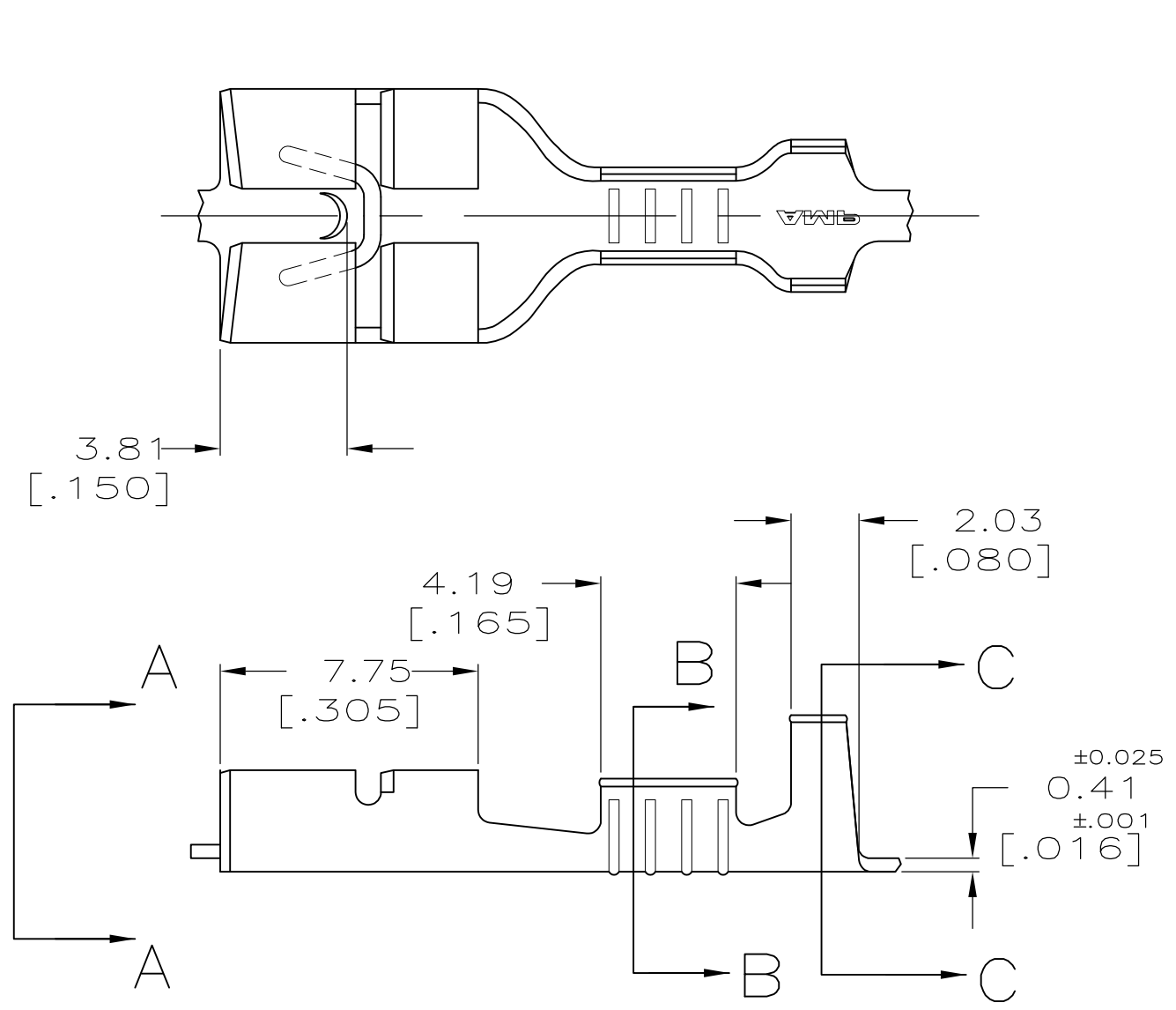


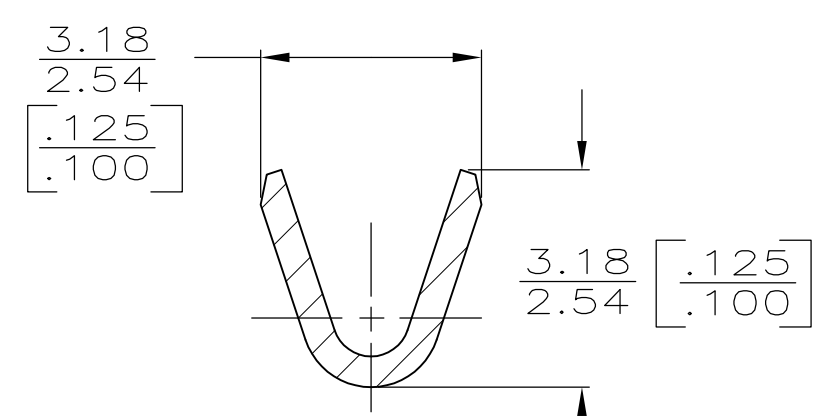
THIS DRAWING IS UNPUBLISHED. RELEASED FOR PUBLICATION
 © COPYRIGHT - By - ALL RIGHTS RESERVED.

LOC	DIST	REVISIONS					
AF	50	P	LTR	DESCRIPTION	DATE	DWN	APVD
		D1		REVISED PER ECO-13-010050	18JUN13	JR	PD

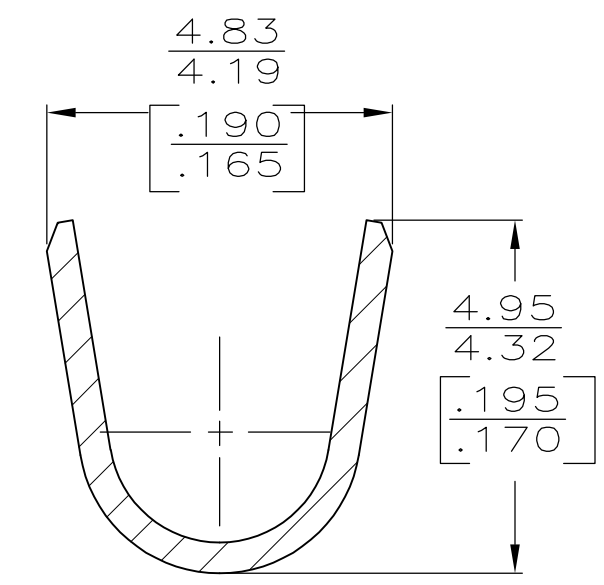
1 CONTINUOUS STRIP ON REELS



VIEW A-A
SCALE 10:1



SECTION B-B
SCALE 10:1



SECTION C-C
SCALE 10:1

2.29-3.30 [.090-.130] DIA	0.3-0.8mm ² [22-18] AWG	0.813 [.032]	TIN	63609-2
INSULATION RANGE	WIRE SIZE	MATING TAB THK ±0.025 [.001]	-	63609-1
			FINISH	PART NO

F, 0, OR OVERLAP	3.30 [.130]	5.59 [.220]	F	2.29 [.090]	1.42 [.056]	0.8mm ² [18]
					1.30 [.051]	0.5mm ² [20]
					1.24 [.049]	0.3mm ² [22]
TYPE	WIDTH	STRIP LENGTH ±0.38 ±[.015]	TYPE	WIDTH	HEIGHT ±.051 [±.002]	WIRE
INSUL BARREL CRIMP			WIRE BARREL CRIMP			

THIS DRAWING IS A CONTROLLED DOCUMENT.

DIMENSIONS: mm [INCHES]

TOLERANCES UNLESS OTHERWISE SPECIFIED:

0 PLC	± -
1 PLC	± -
2 PLC	± 0.25 [.010]
3 PLC	± -
4 PLC	± -
ANGLES	± -
FINISH	SEE TABLE

MATERIAL: BRASS

DWN JR RUTH 4/3/91
 CHK P FORTNEY 4/3/91
 APVD C MEYERS 4/3/91

STE TE Connectivity

NAME: RECEPTACLE, FASTON, 6.35 [.250] SERIES

SIZE: A3 CAGE CODE: 00779 DRAWING NO: C-63609 RESTRICTED TO: -

WEIGHT: -

CUSTOMER DRAWING SCALE: 5:1 SHEET: 1 OF 1 REV: D1